

ASSEMBLY INSTRUCTION

PARTS

A



X1

B



X1

C



X1

D



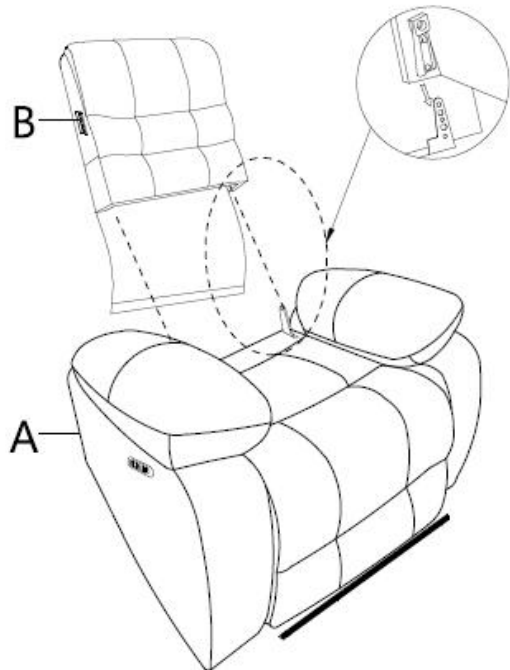
X1

E

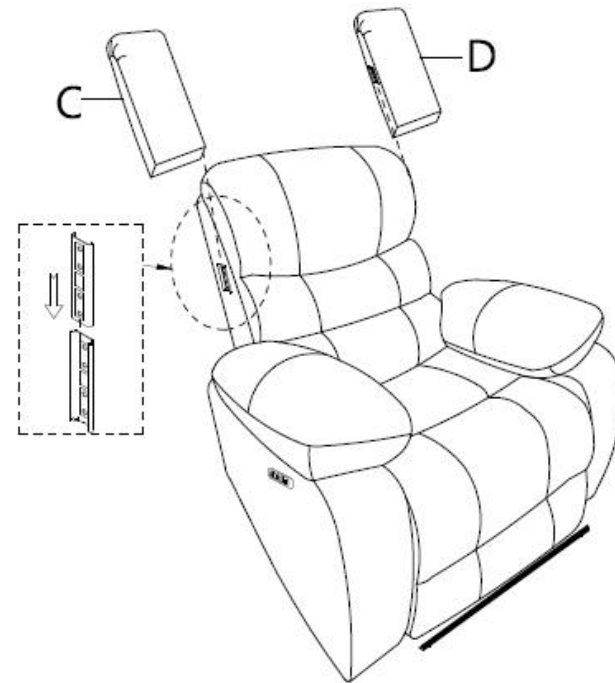


X1

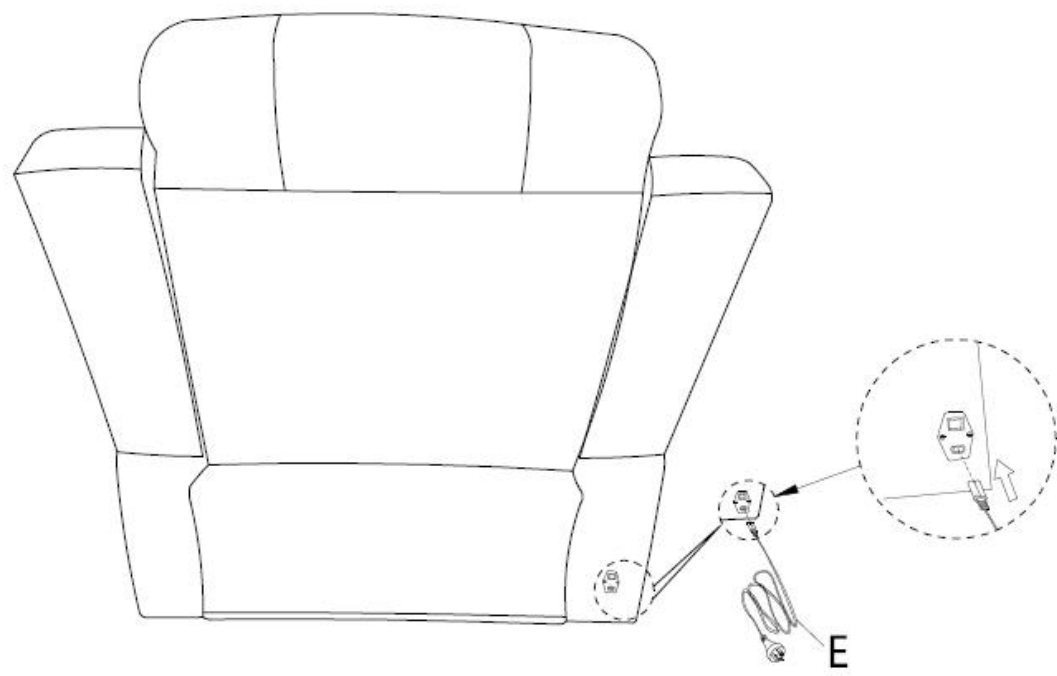
STEP 1:



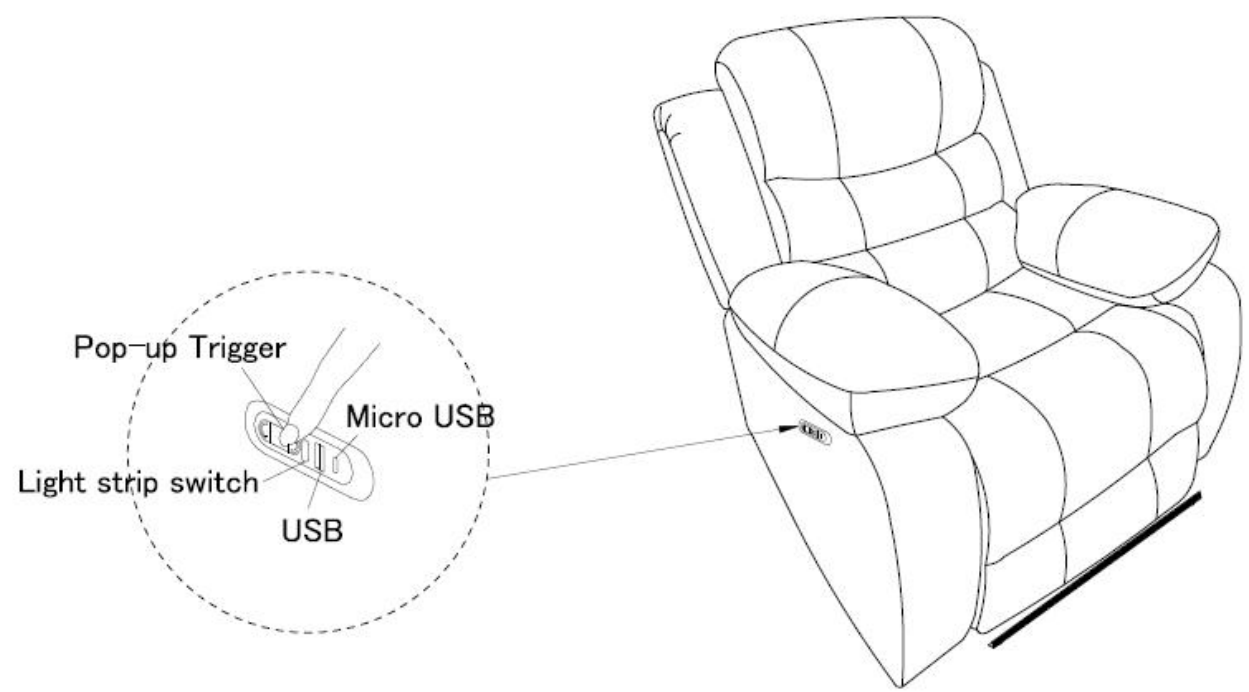
STEP 2:



STEP 3:

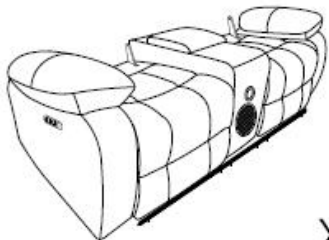










STEP 4:

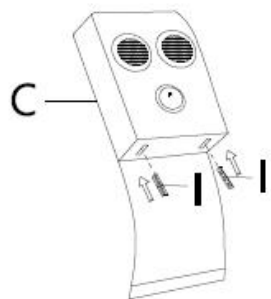


ASSEMBLY INSTRUCTION

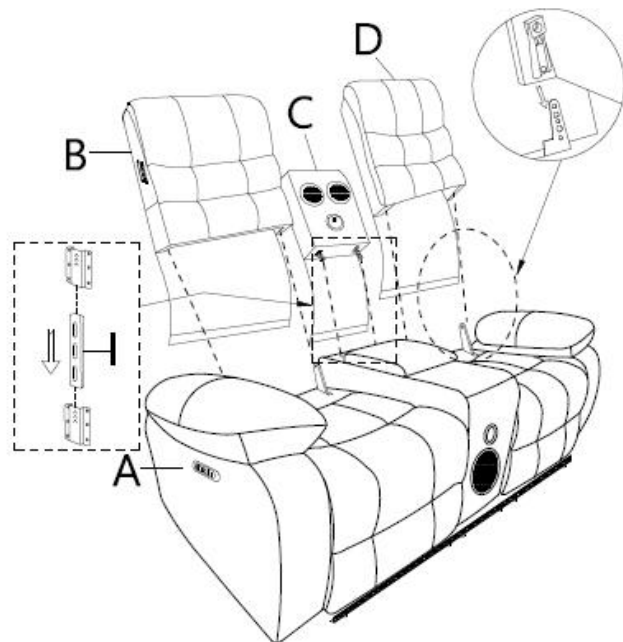
PARTS

A  X1	B  X1	C  X1	D  X1	E  X1		
F  X1	G  X1	H  X1	I  X2			

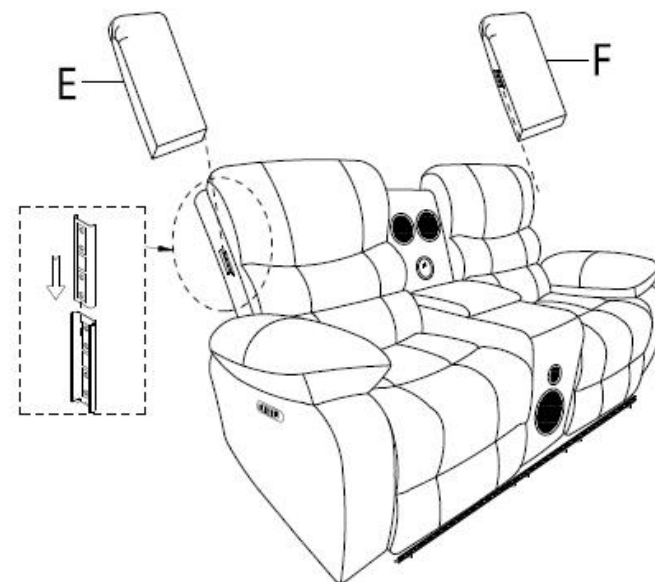
STEP 1:



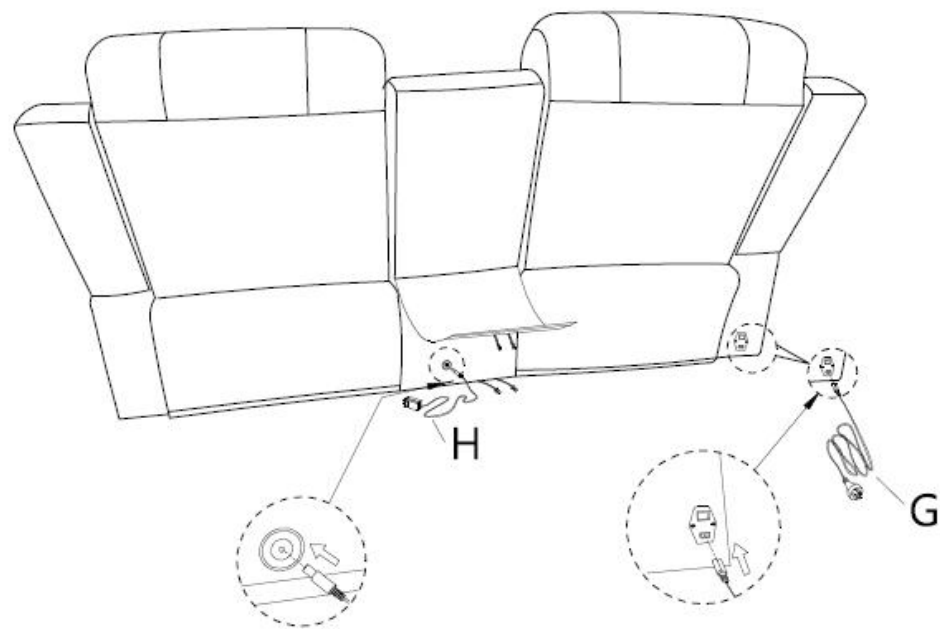
STEP 2:



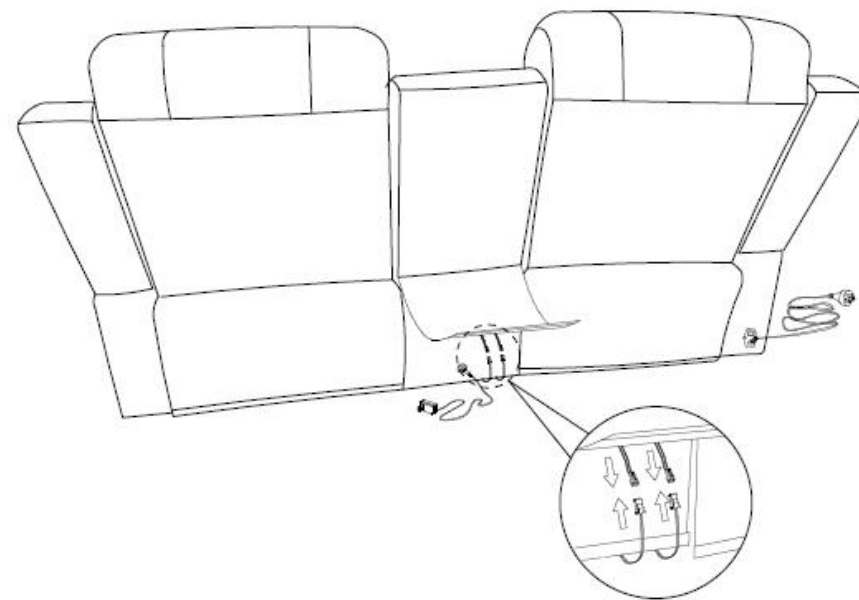
STEP 3:



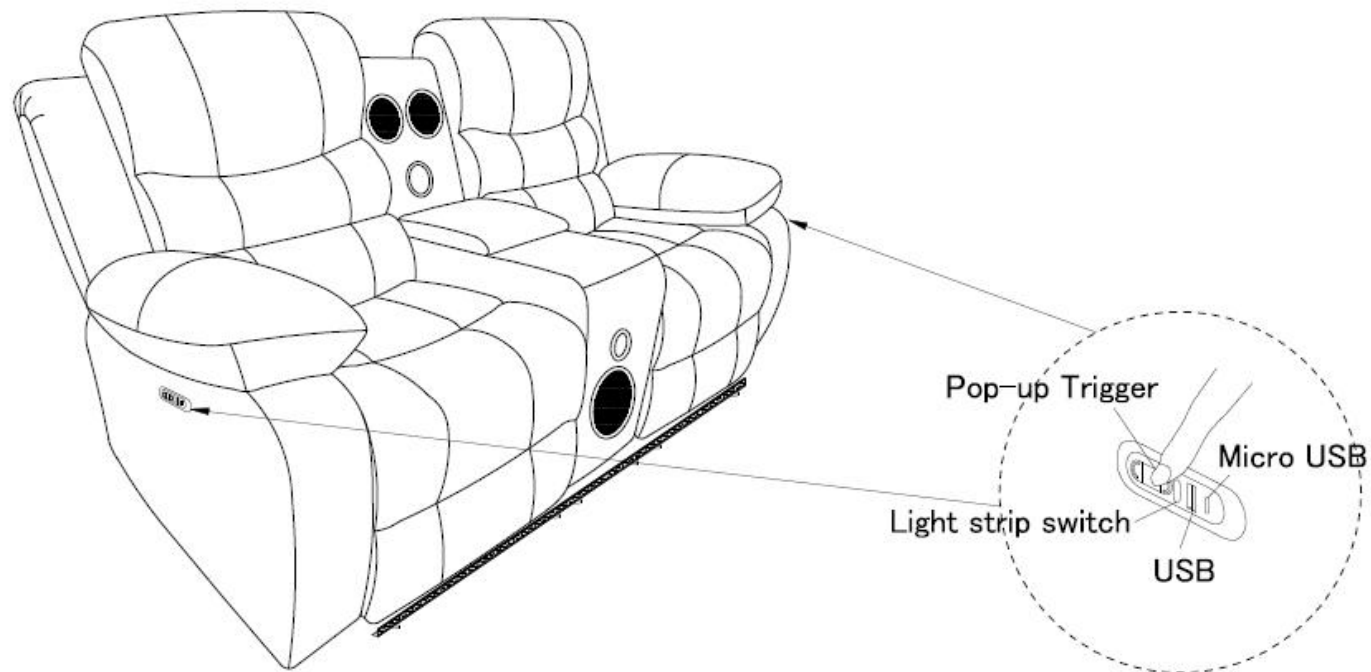
STEP 4:



STEP 5:

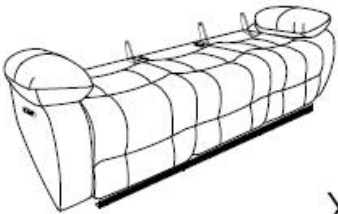









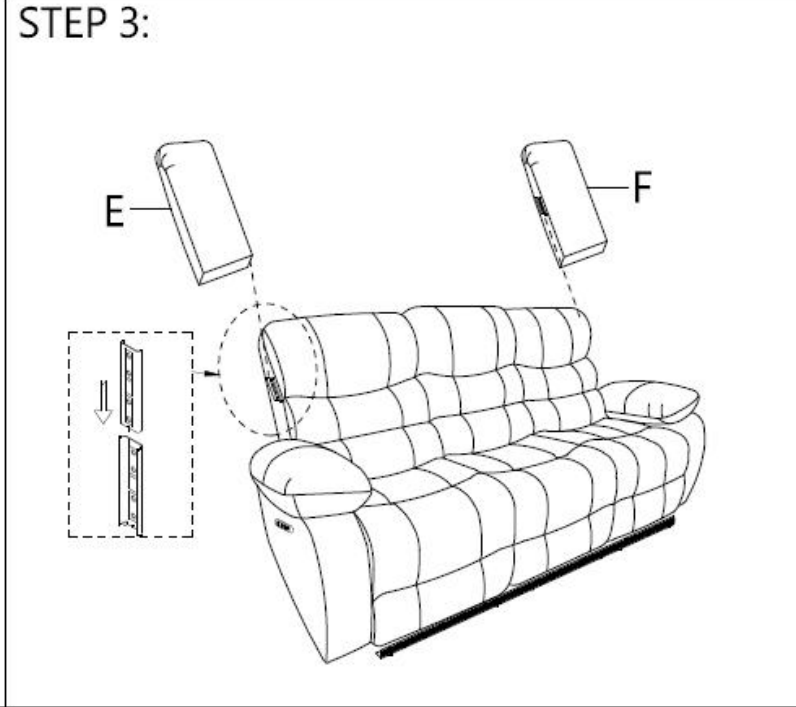
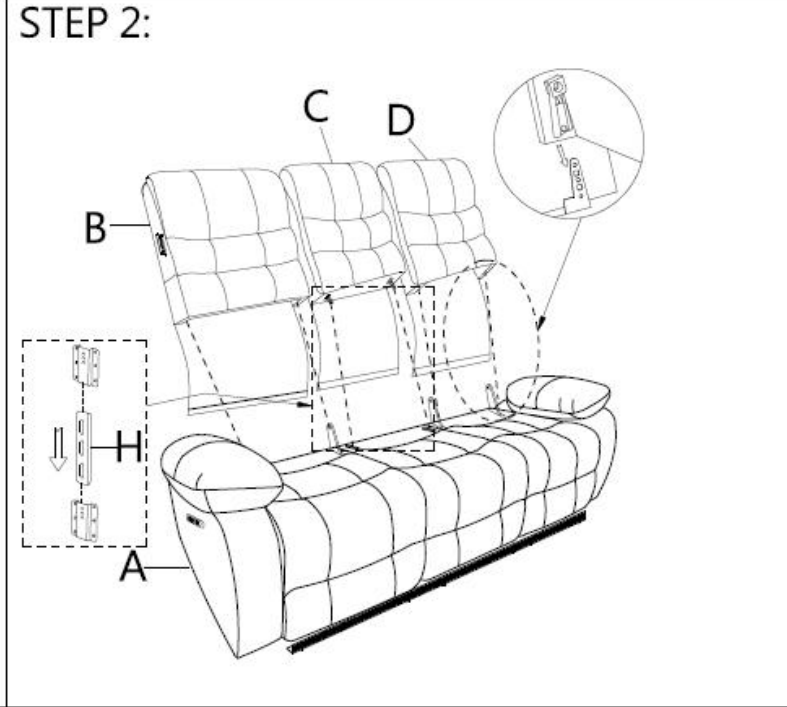
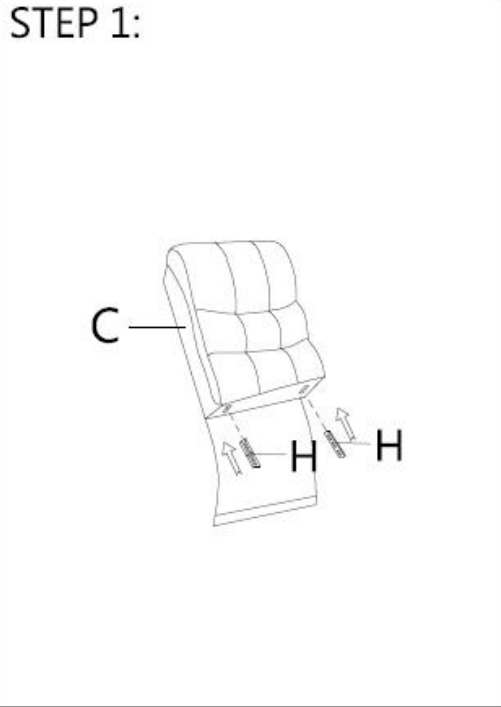
STEP 6:



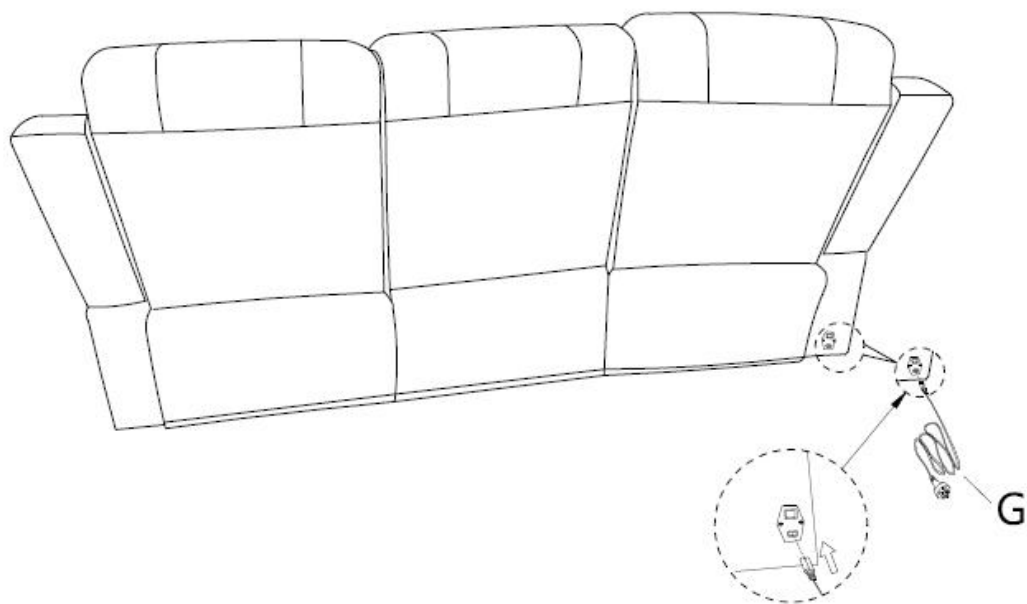
ASSEMBLY INSTRUCTION

PARTS

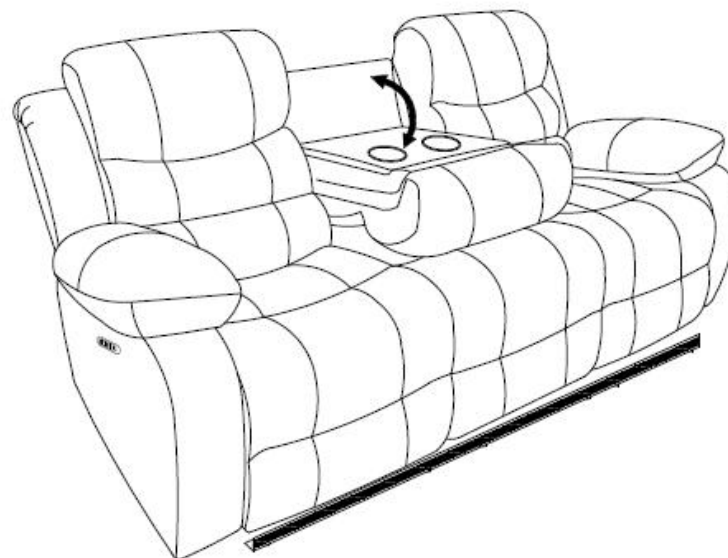
A  X1	B  X1	C  X1	D  X1	E  X1		
F  X1	G  X1	H  X2				



STEP 4:



STEP 5:



STEP 6:

